

# SLF80P06T

## -60V P -Channel MOSFET

### General Description

This Power MOSFET is produced using Msemitek's advanced TRENCH technology.

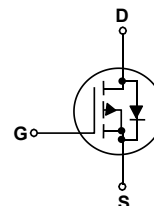
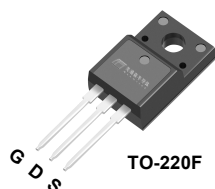
This advanced technology has been especially tailored to minimize conduction loss, provide superior switching performance, and withstand high energy pulse in the avalanche and commutation mode.

### Application

- PWM Application
- Load Switch
- Power Management

### Features

- P-Channel: -60V - 80A
- $R_{DS(on)Typ} = 17m\Omega @ V_{GS} = -10V$
- $R_{DS(on)Typ} = 19m\Omega @ V_{GS} = -4.5V$
- Very Low On-resistance  $R_{DS(ON)}$
- Low Crss
- Fast switching
- 100% avalanche tested
- Improved dv/dt capability



### Absolute Maximum Ratings $T_C = 25^\circ\text{C}$ unless otherwise noted

Symbol	Parameter	SLF80P06T	Units
$V_{DSS}$	Drain-Source Voltage	-60	V
$I_D$	Drain Current - Continuous ( $T_C = 25^\circ\text{C}$ ) - Continuous ( $T_C = 100^\circ\text{C}$ )	-80	A
		-64	A
$I_{DM}$	Drain Current - Pulsed (Note 1)	-320	A
$V_{GSS}$	Gate-Source Voltage	$\pm 20$	V
$E_{AS}$	Single Pulsed Avalanche Energy (Note 2)	756	mJ
$P_D$	Power Dissipation ( $T_C = 25^\circ\text{C}$ )	60	W
$R_{\theta JC}$	Thermal Resistance, Junction to Case	2.08	$^\circ\text{C}/\text{W}$
$T_J, T_{STG}$	Operating and Storage Temperature Range	-55 to +150	$^\circ\text{C}$
$T_L$	Maximum lead temperature for soldering purposes, 1/8" from case for 5 seconds	300	$^\circ\text{C}$

\* Drain current limited by maximum junction temperature.

## Package Marking

Part Number	Top Marking	Package	Packing Method	MOQ	QTY
SLF80P06T	SLF80P06T	TO-220F	Tube	1000	5000

## Electrical Characteristics

$T_C = 25^\circ\text{C}$  unless otherwise noted

Symbol	Parameter	Test Conditions	Min	Typ	Max	Units
--------	-----------	-----------------	-----	-----	-----	-------

### Off Characteristics

$BV_{DSS}$	Drain-Source Breakdown Voltage	$V_{GS} = 0\text{ V}, I_D = -250\ \mu\text{A}$	-60	--	--	V
$I_{DSS}$	Zero Gate Voltage Drain Current	$V_{DS} = -60\text{ V}, V_{GS} = 0\text{ V}$	--	--	-1	$\mu\text{A}$
		$V_{DS} = -48\text{ V}, T_C = 125^\circ\text{C}$	--	--	-10	$\mu\text{A}$
$I_{GSSF}$	Gate-Body Leakage Current, Forward	$V_{GS} = 20\text{ V}, V_{DS} = 0\text{ V}$	--	--	100	nA
$I_{GSSR}$	Gate-Body Leakage Current, Reverse	$V_{GS} = -20\text{ V}, V_{DS} = 0\text{ V}$	--	--	-100	nA

### On Characteristics

$V_{GS(th)}$	Gate Threshold Voltage	$V_{DS} = V_{GS}, I_D = -250\ \mu\text{A}$	-1.1	-1.6	-2.2	V
$R_{DS(on)}$	Static Drain-Source On-Resistance	$V_{GS} = -10\text{ V}, I_D = -20\text{ A}$	--	17	20	m $\Omega$
		$V_{GS} = -4.5\text{ V}, I_D = -20\text{ A}$	-	19	22	

### Dynamic Characteristics

$C_{iss}$	Input Capacitance	$V_{DS} = -20\text{ V}, V_{GS} = 0\text{ V},$ $f = 1.0\text{ MHz}$	--	4400	-	pF
$C_{oss}$	Output Capacitance		--	259	-	pF
$C_{rss}$	Reverse Transfer Capacitance		--	212	-	pF

### Switching Characteristics

$t_{d(on)}$	Turn-On Delay Time	$V_{GS} = -10\text{ V}, V_{DS} = -30\text{ V},$ $R_G = 1\ \Omega, I_D = -20\text{ A}$ (Note 3)	--	24	--	ns
$t_r$	Turn-On Rise Time		--	18	--	ns
$t_{d(off)}$	Turn-Off Delay Time		--	56	--	ns
$t_f$	Turn-Off Fall Time		--	30	--	ns
$Q_g$	Total Gate Charge		$V_{DS} = -30\text{ V}, I_D = -20\text{ A},$ $V_{GS} = -10\text{ V}$ (Note 3)	--	115	--
$Q_{gs}$	Gate-Source Charge		--	27.4	--	nC
$Q_{gd}$	Gate-Drain Charge		--	50	--	nC

### Drain-Source Diode Characteristics and Maximum Ratings

$I_S$	Maximum Continuous Drain-Source Diode Forward Current	--	--	-80	A
$I_{SM}$	Maximum Pulsed Drain-Source Diode Forward Current	--	--	-320	A
$V_{SD}$	Drain to Source Diode Forward Voltage, $V_{GS} = 0\text{ V}, I_{SD} = -20\text{ A}, T_J = 25^\circ\text{C}$	--	--	-1.2	V
$t_{rr}$	Reverse Recovery Time $T_J = 25^\circ\text{C}, I_F = -20\text{ A}, di/dt = 100\text{ A}/\mu\text{s}$	--	117	-	nS
$Q_{rr}$	Reverse Recovery Charge $T_J = 25^\circ\text{C}, I_F = -20\text{ A}, di/dt = 100\text{ A}/\mu\text{s}$	--	420	-	nC

#### Notes:

1. Repetitive Rating: Pulse Width Limited by Maximum Junction Temperature
2. EAS condition:  $T_J = 25^\circ\text{C}, V_{DD} = -25\text{ V}, V_G = -5\text{ V}, R_G = 25\ \Omega, L = 0.5\text{ mH}$
3. Pulse Test: Pulse Width  $\leq 300\ \mu\text{s}$ , Duty Cycle  $\leq 0.5\%$

### P- Channel Typical Characteristics

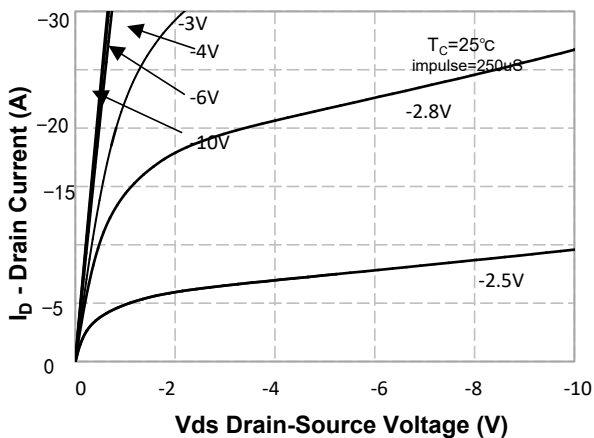


Figure 1. On-Region Characteristics

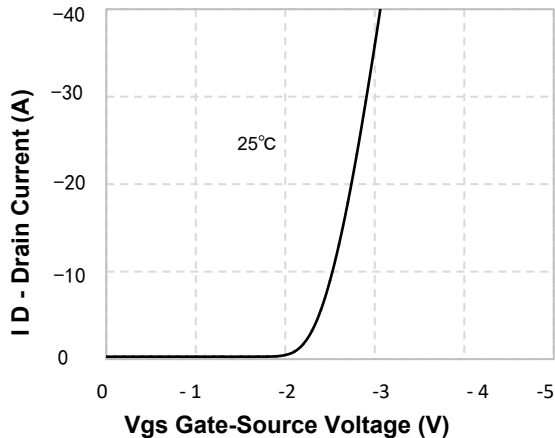


Figure 2. Transfer Characteristics

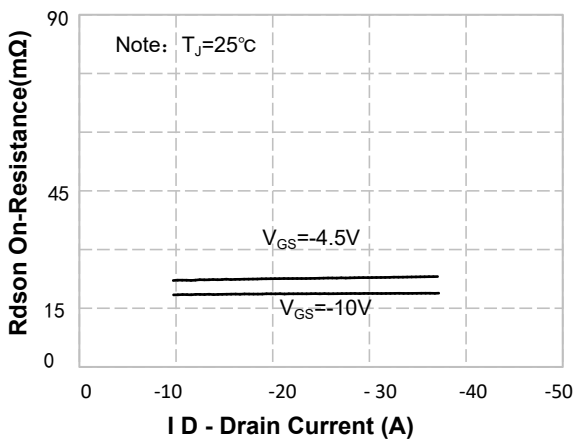


Figure 3. On-Resistance Variation vs Drain Current and Gate Voltage

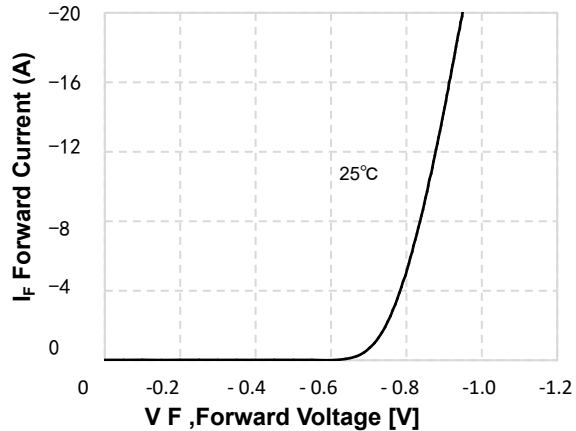


Figure 4. Body Diode Forward Voltage Variation with Source Current

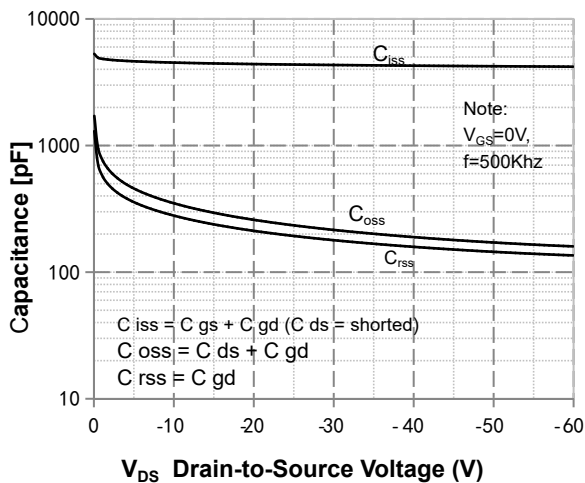


Figure 5. Capacitance Characteristics

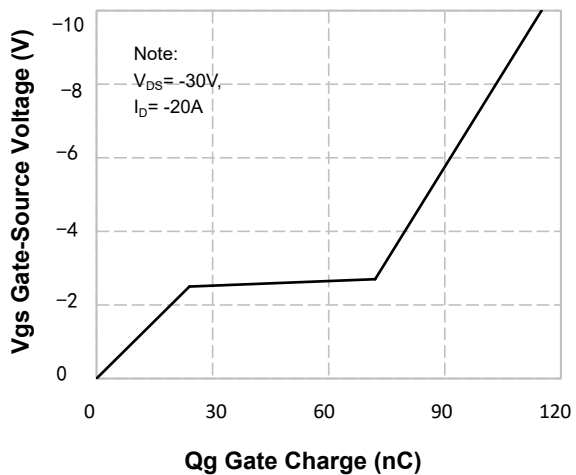
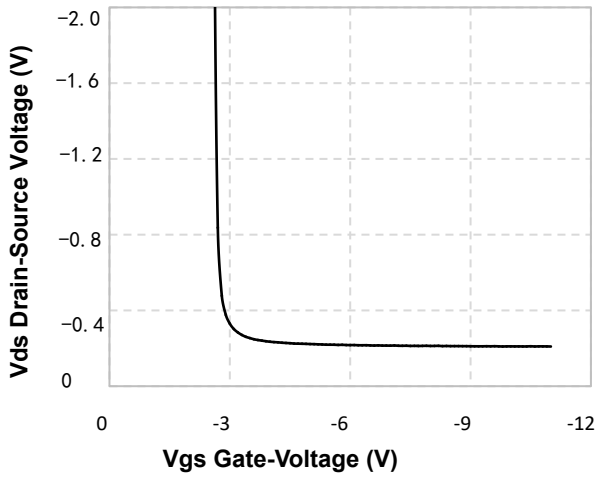
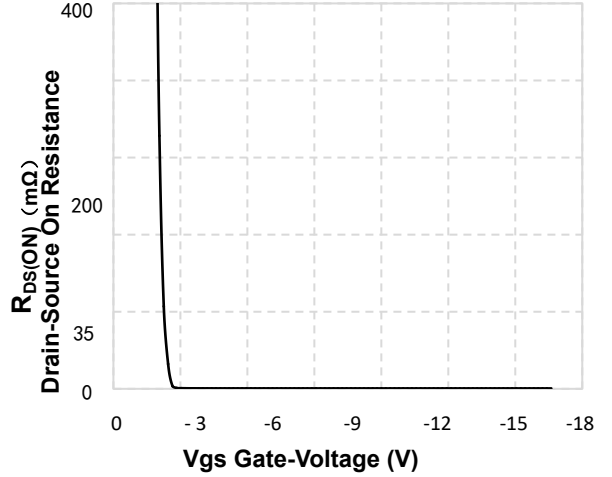


Figure 6. Gate Charge Characteristics

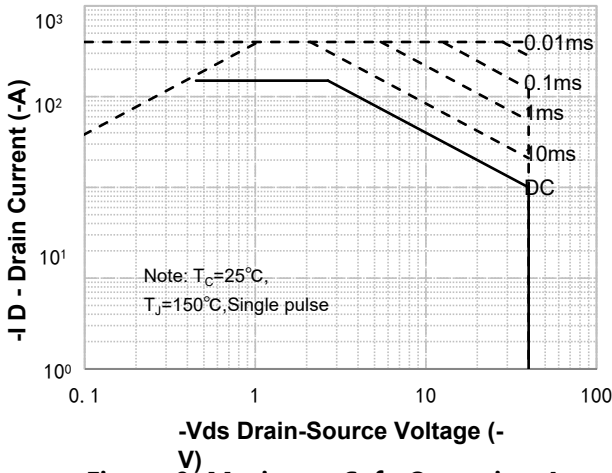
**P- Channel Typical Characteristics** (Continued)



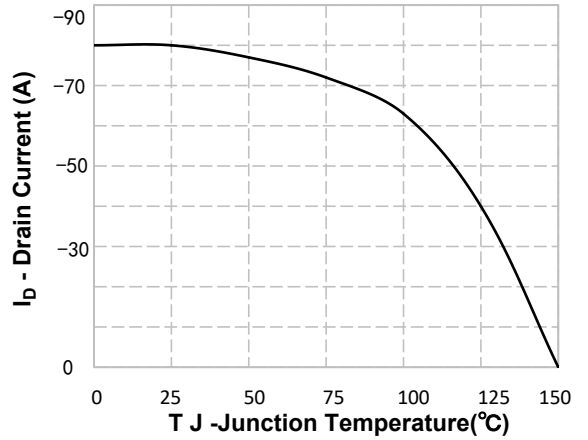
**Figure 7. Vds Drain-Source Voltage vs Gate Voltage**



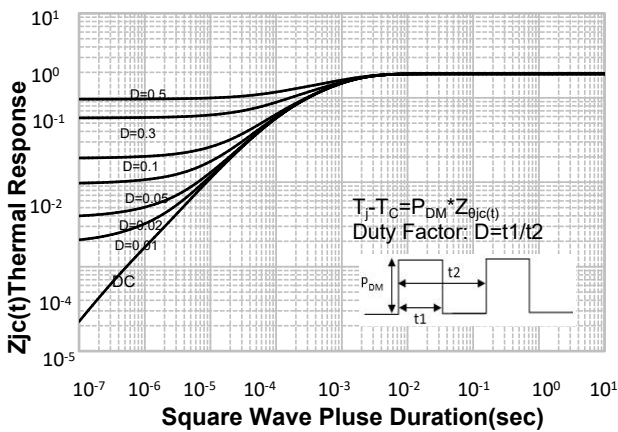
**Figure 8. On-Resistance vs Gate Voltage**



**Figure 9. Maximum Safe Operating Area**

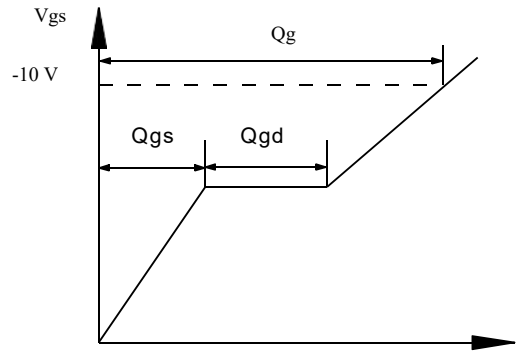
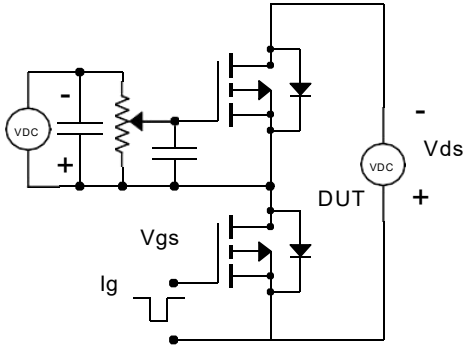


**Figure 10. Maximum Continuous Drain Current vs Temperature**

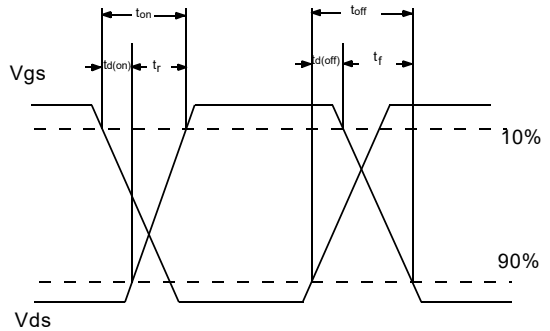
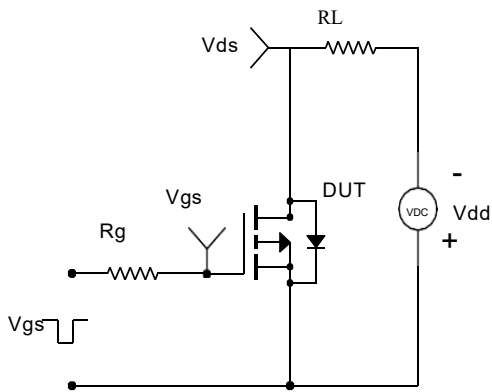


**Figure 11. Transient Thermal Response Curve**

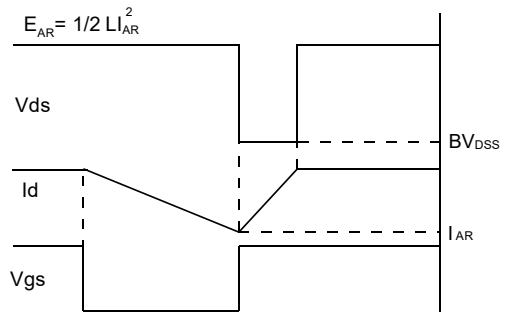
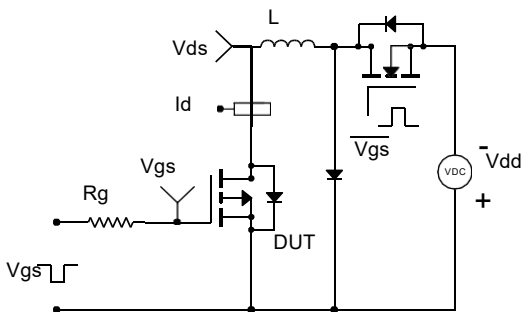
### Gate Charge Test Circuit & Waveform



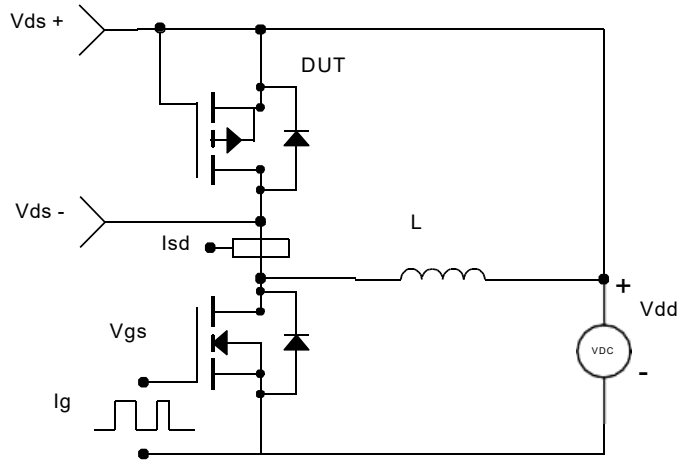
### Resistive Switching Test Circuit & Waveforms



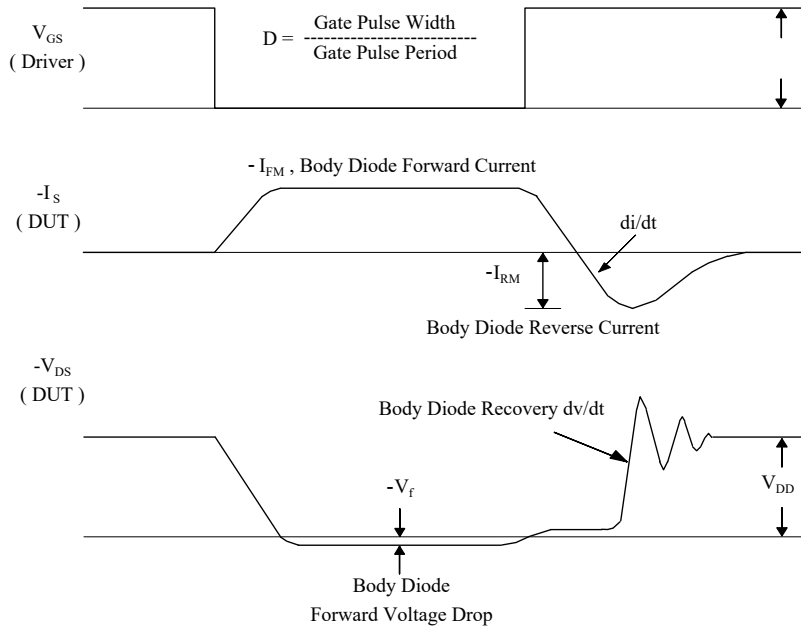
### Unclamped Inductive Switching Test Circuit & Waveforms



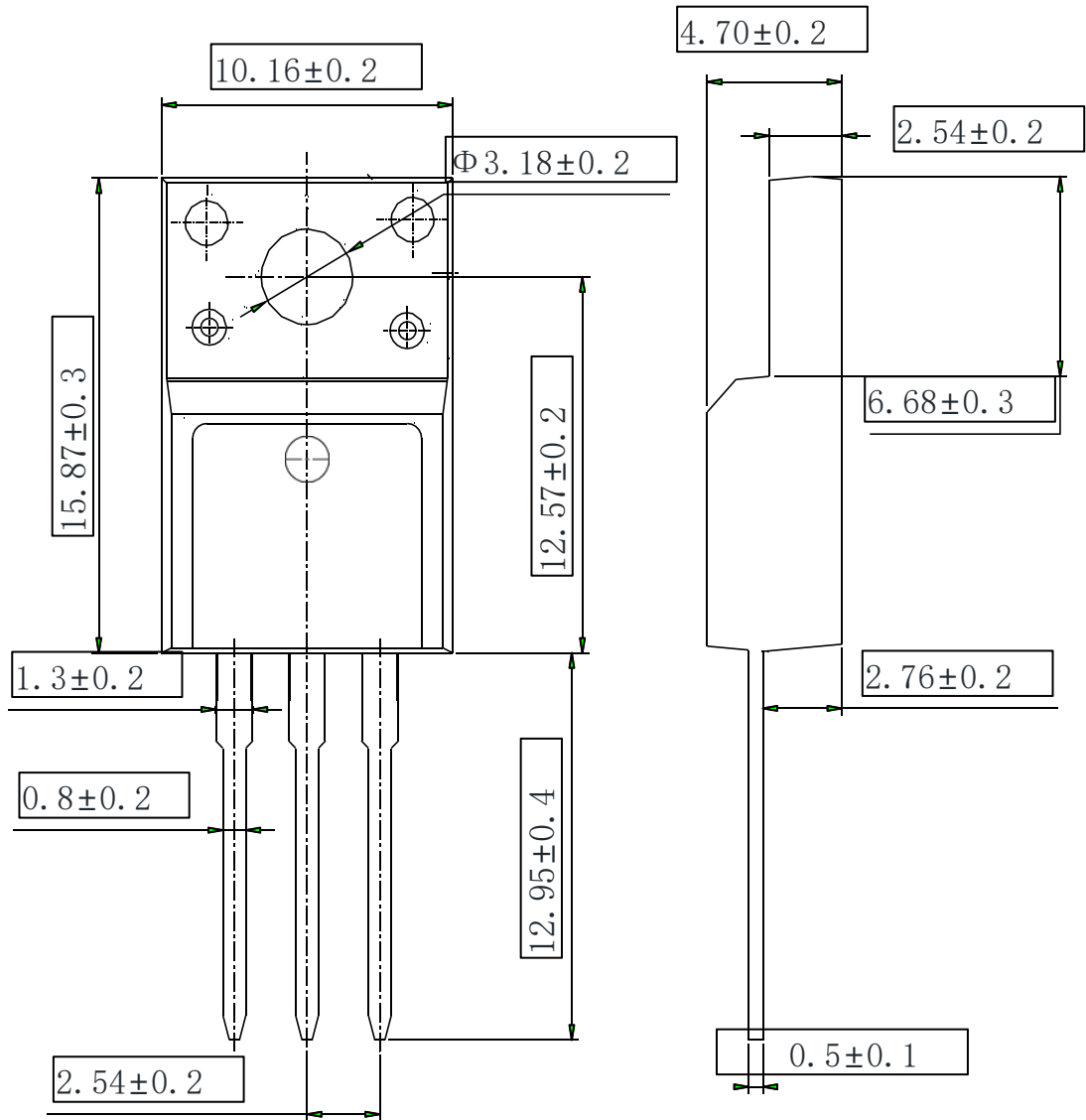
### Peak Diode Recovery dv/dt Test Circuit & Waveforms



- $dv/dt$  controlled by  $R_G$
- $I_{SD}$  controlled by pulse period



## TO-220F OUTLINE



## NOTE:

- 1The plastic package is not marked as smooth surface  $Ra=0.1$ ; Subglossy surface  $Ra=0.8$
2. Undeclared tolerance  $\pm 0.15$ , Unmarked fillet  $R_{max}=0.25$

## Disclaimer

The content specified herein is for the purpose of introducing Msemitek's products (here in after "Products"). The information given in this document shall in no event be regarded as a guarantee of conditions or characteristics. Examples of application circuits, circuit constants and any other information contained herein illustrate the standard usage and operations of the Products. The peripheral conditions must be taken into account when designing circuits for mass production.

Msemitek does not assume any liability for infringement of patents, copyrights, or other intellectual property rights of third parties by or arising from the use of the Products or technical information described in this document.

The products are not designed or manufactured to be used with any equipment, device or system which requires an extremely high level of reliability the failure or malfunction of which may result in a direct threat to human life or create a risk of human injury (such as a medical instrument, transportation equipment, aerospace machinery, nuclear-reactor controller, fuel-controller or other safety device). Msemitek shall bear no responsibility in any way for use of any of the Products for the above special purposes.

Although, Msemitek endeavors to improve the quality and reliability of its products, semiconductor products have specific characteristics such as the occurrence of failure at a certain rate and malfunctions under certain use conditions. Please be sure to implement safety measures to guard them against the possibility of physical injury, and injury or damage caused by fire in the event of the failure of a Msemitek's product.

The content specified herein is subject to change for improvement without notice. When using a Msemitek's product, be sure to obtain the latest specifications.